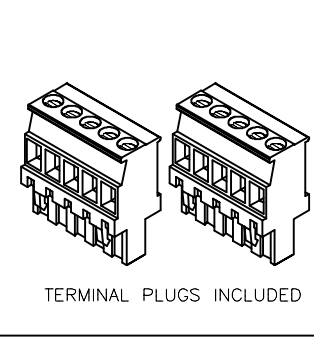
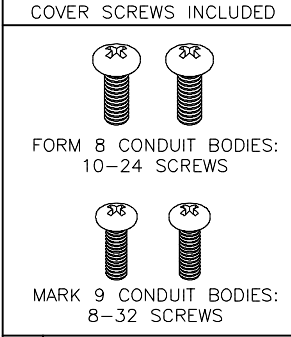
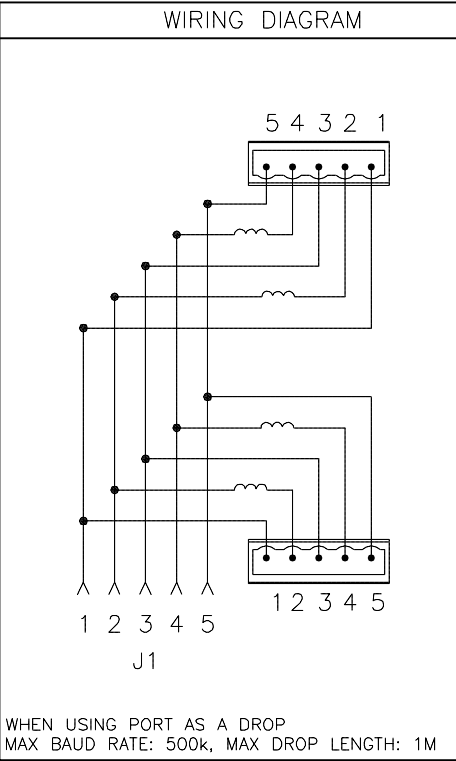
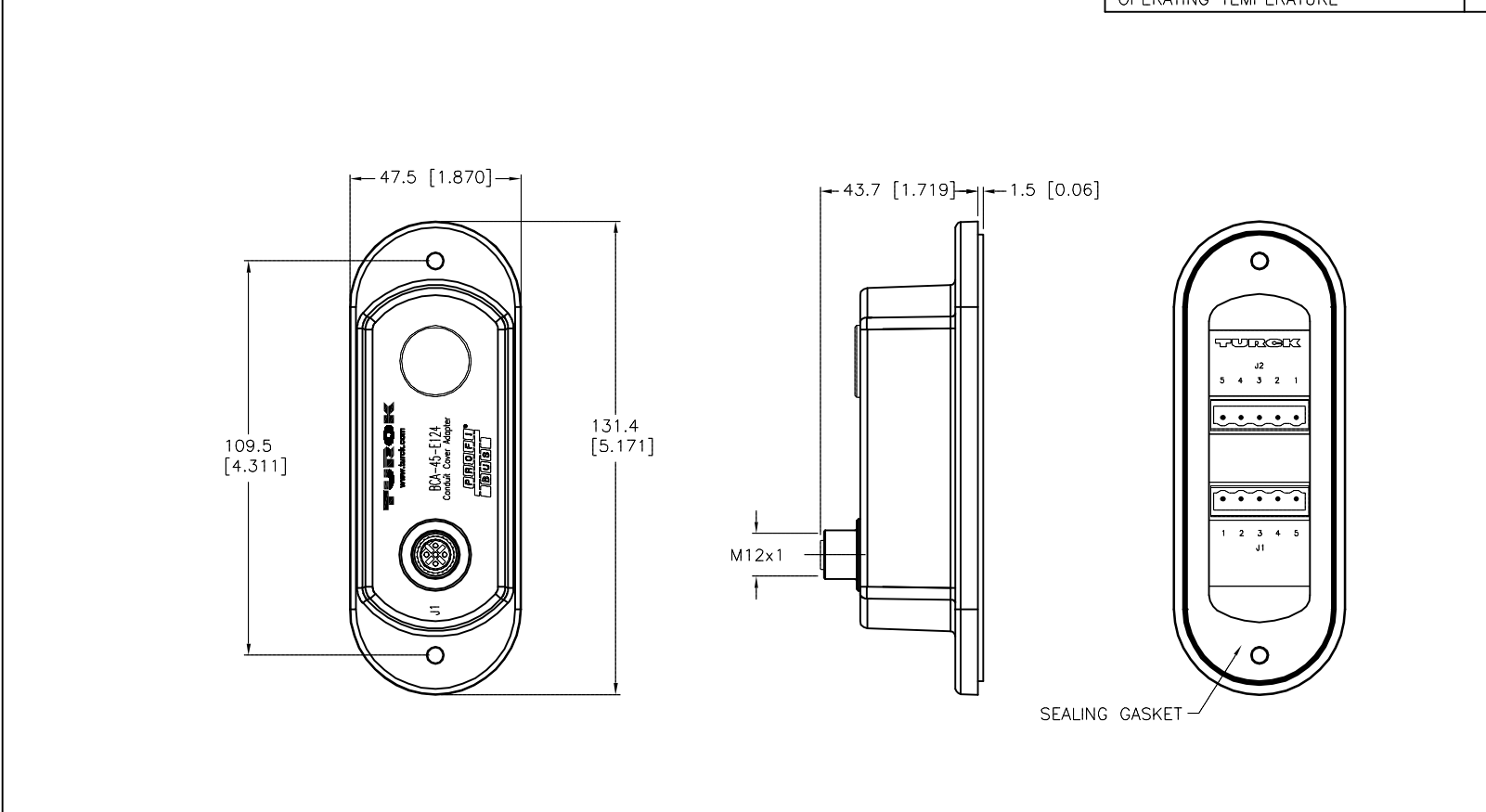


SPECIFICATIONS	
HOUSING MATERIAL/COLOR	NYLON 66 - 33% GLASS FILLED/BLACK
RECEPTACLE HOUSING MATERIAL/PLATING	BRASS/NICKEL
CONTACT CARRIERS/COLOR	PA 12/BLACK
CONTACT MATERIAL/PLATING	BRASS/GOLD
OPERATING VOLTAGE	250 V
OPERATING CURRENT	4.0 A EUROFAST DROP
PROTECTION CLASS to DIN 40050	IP 67 - ONLY WHEN ALL RECEPTACLES ARE COVERED WITH PLUGS OR CONNECTED
OPERATING TEMPERATURE	-40°C to +80°C (-40°F to +176°F)



SOURCE DRAWING - FOR REFERENCE ONLY

RELATED DOCUMENTS 1. 2. 3. 4.	3RD ANGLE PROJECTION 	THIS DRAWING IS CONFIDENTIAL AND THE PROPERTY OF TURCK INC. USE OF THIS DOCUMENT WITHOUT WRITTEN PERMISSION IS PROHIBITED.		3000 CAMPUS DRIVE MINNEAPOLIS, MN 55441 1-800-544-7769 (763) 553-7300 (763) 553-0708 fax turck.com	
	MATERIAL	DRFT RDS	DATE 03/19/03	DESCRIPTION BCA-45-E124	
FINISH	ALL DIMENSIONS DISPLAYED ON THIS DRAWING ARE FOR REFERENCE ONLY	APVD DF	SCALE 1=2.0	IDENTIFICATION NO. U8692-012	
	CONTACT TURCK FOR MORE INFORMATION	UNIT OF MEASUREMENT MILLIMETER [INCH]		REV G	
		DO NOT SCALE THIS DRAWING		FILE: U8692-012	
G UPDATE TEMP. SPEC.	RDS 08/26/14	46984			
REV DESCRIPTION	BY DATE ECO NO.			SHEET 1 OF 1	